

FX Series - Self-Latching Flush Bolt Door



The FX Series embodies Syntegra's uncluttered appearance with advanced functionality approach to door and hardware design.

Mounted in the top of the inactive leaf of a pair of doors, the FX Series Auto-Latching Flush Bolt Door System secures the inactive leaf by discreetly projecting a locking bolt into the frame header when the doors close. Unlike conventional flush bolts that require a coordination device to ensure that door pairs close in a specific order, the patent-pending FX Series provides positive latching regardless of the closing sequence of each door. The action of opening the active leaf causes the flush bolt to retract making both doors available for ingress or egress.

Typical Installations

Use in standard and unequal pairs in the following applications when paired with PX, LX, and XT door systems in the active door:

Building Types

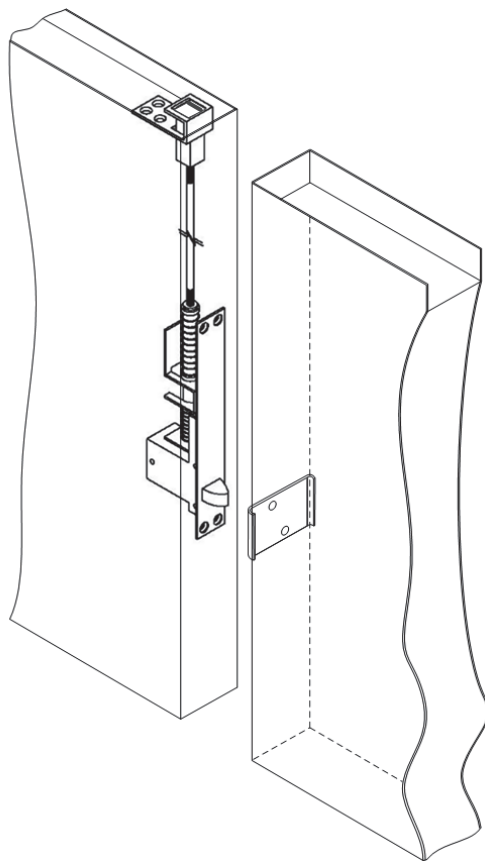
- Office
- Hospitality
- Mixed Use
- Commercial/Industrial

Applications

- Elevator Cab Protection
- Elevator Lobby
- Cross Corridor
- Unequal Pairs

FX Series Hardware Specifications

Fire Ratings	3-hour listed for positive pressure (UL10C) with single-point top latching along with auxiliary fire pin. Maximum door leaf size: 4' x 8'.
Materials	Stainless and Plated steel
Latch bolt	Top Latching with - 3/4" throw stainless steel
Strike	Curved Lip Type – Stainless Steel Trigger Striker – Stainless Steel – double-beveled (Supplied strikes are required to achieve self-latching feature)



Header Strike

